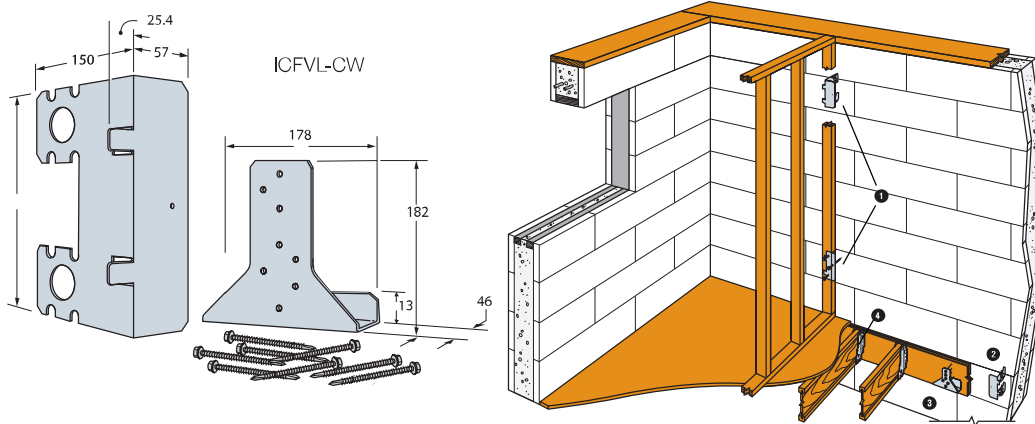


# Masonry Hangers for Solid Joists

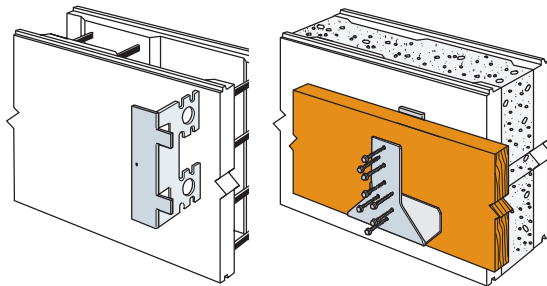
## ICF Insulated Concrete Form Hanger

The ICFLC and ICFVL-CW ledger connector system is engineered to solve the challenges of mounting steel or wood ledgers on insulated concrete walls.

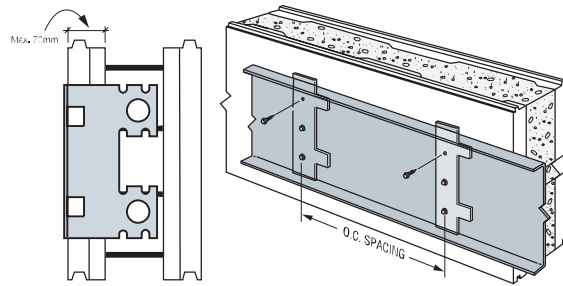
The ledger connector system is easy, quick and versatile to use. The perforations in the embedded leg of the ICFLC permit the concrete to flow around it, anchoring the ICFLC securely within the wall. The exposed flange provides a structural surface for mounting either a wood or a steel ledger.



- 1 Attach interior partition walls with suitable drill point screws into ICFLC where needed.
- 2 Use ICFLC to connect to the concrete wall through the ICF.
- 3 Use ICFVL-CW to attach ledger to ICF wall.
- 4 Use a face fix hanger for I-joist floor system.



Typical Wood Ledger Installation with ICFLC and ICFVL-CW.



Typical Steel Ledger Installation with ICFLC (minimum 1.6mm steel ledger). Requires 3 screws at each location. Table provides centre spacing.

### Solid Sawn Ledger - ICFLC with ICFVL-CW (67mm forms)

Download per ICF connector (kN)	Maximum Connector Spacing (mm)
8.5	1200

1. Use 8 No. D3 screws (provided).
2. Loads assume a minimum C16 ledger

### Steel Ledger - ICFLC 67mm

Download per ICF connector (kN)	Ledger Thickness (mm)	Connector Spacing (mm)
8.5	1.6	350

### Steel Ledger - ICFLC 70mm

Download per ICF connector (kN)	Ledger Thickness (mm)	Connector Spacing (mm)
7.8	1.6	350

1. Minimum steel ledger specification is A-653 SS Grade 50.
2. Use three 1/4-14x3/4", #3 drill point screws (not provided).
3. Minimum screw shear capacity is 3.3kN.

#### General Notes

1. Spacings shown apply to vertical loads only.
2. No load duration increase is allowed.
3. Minimum concrete grade C20/25.
4. Do not splice ledger at ICFLC location.

**WARNING:** Industry studies show that hardened fasteners can experience performance problems in wet environments. Accordingly, use this product in dry, interior applications only.